

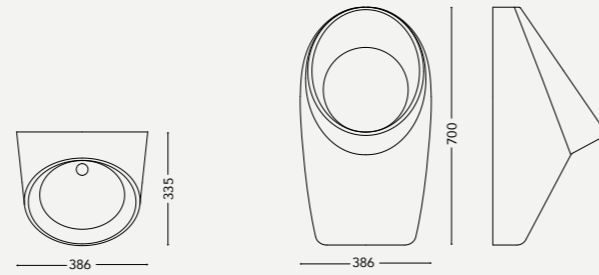
# URINALS

## CONTINENTAL

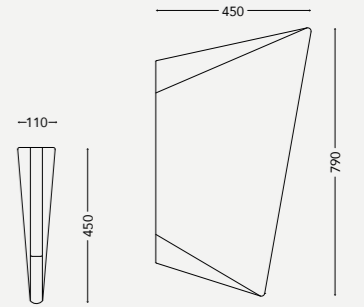


CON15.URB  
Wall hung urinal bowl

### SMART

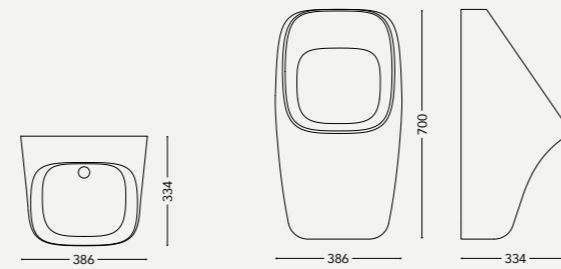


DIV01  
Divider

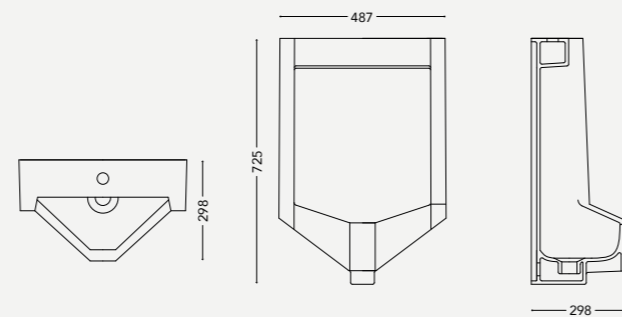


SMA15.URB  
Wall hung urinal bowl

### NEW ENGLAND



NEWE03.URB  
Wall hung urinal bowl



#### AVAILABLE COLOURS

#### GLOSSY / MATT



#### MATT



#### NOTE

All dimensions in mm tolerance +5% for below 200mm and +3% for above 200mm